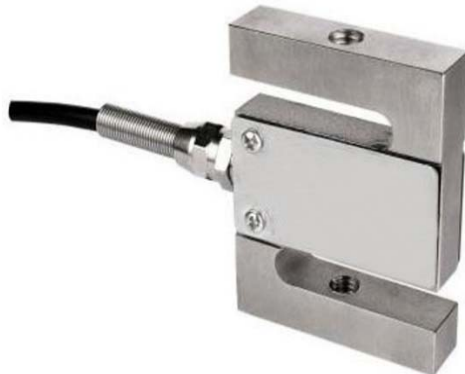
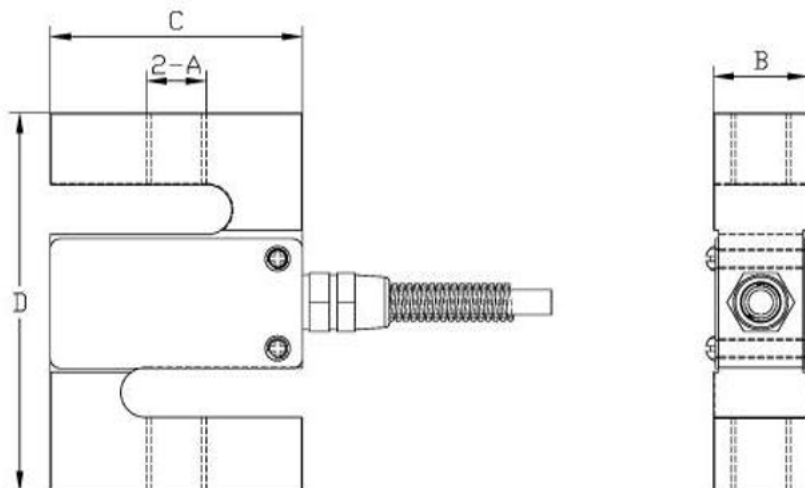


**Tension and Compression Load Cell ME-8100**

**Feature:**



- ◆ Adopt high-precision resistance strain principle;
- ◆ Meet force measurement in the range of 50 N to 50 kN;
- ◆ Stainless steel material with sealed welding, oil, water, corrosion resistant;
- ◆ S structural design, pressure-bearing, easy to install;
- ◆ Safe and suitable for harsh environments and dangerous situations;
- ◆ High dynamic response frequency;
- ◆ Small size, good appearance

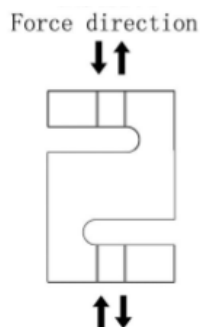


Range	A	B	C	D
50 N to 500 N	M8 × 1.25	12.7	50.8	63.5
1 kN to 3 kN	M12 × 1.75	19	50.8	76.2
5 kN to 10 kN	M12 × 1.75	25.4	50.8	76.2
20 kN to 50 kN	M18 × 1.5	25.4	76.2	108

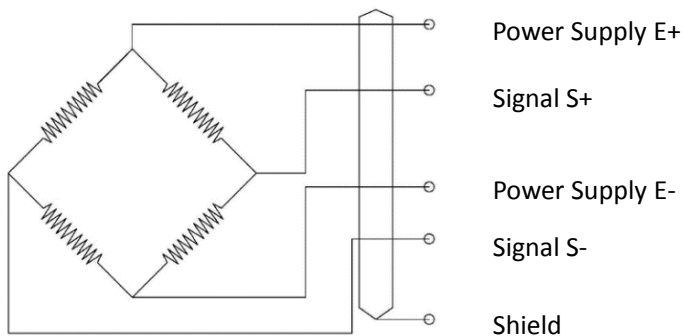
**Technical parameters:**

Measuring range:	0 ~ (50 N to 50 kN) (5 kg to 5 ton)	Material:	Stainless steel
Accuracy:	0.03 % FSO	Rated output:	2.0 mV/V
Nominal excitation:	5 ~ 10 VDC	Maximum excitation:	15 V
Natural frequency:	≥ 2 kHz	Compensated temperature range:	- 10 ~ 60 °C
Hysteresis:	0.03 % FSO	Operating temperature range:	- 20 ~ 80 °C
Repeatability:	0.03 % FSO	Insulation:	≥ 5000 MΩ / 100 VDC
Input impedance:	350 (700) ± 5 Ω	Output impedance:	350 (700) ± 5 Ω
Creep (30 min):	0.01 % FSO	Temperature effect on output:	0.05 % FSO / 10 °C
Zero balance:	± 2 % FSO	Temperature effect on zero:	0.05 % FSO / 10 °C
Safe load limit:	150 %	Ultimate load limit:	200 %
Cable size:	∅ 5 x 3m	Life time:	Full scale more than 1 million times
Wire connection:	Power supply E+: Red; Power supply E-: Black; Signal S+: Green; Signal S-: White		

**Loading mode:**



**Wiring diagram:**



**Order Instruction:**

**Load Cell**

ME - 8100 -  -

Measuring Range (N)

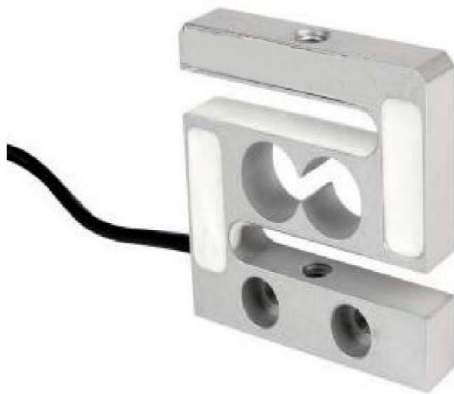
50	100	200	500	1000	2000	5000	10000	20000	50000
50	100	200	500	1K	2K	5K	10K	20K	50K

Cable Length (m)

3 meter length	5 meter length
L3	L5

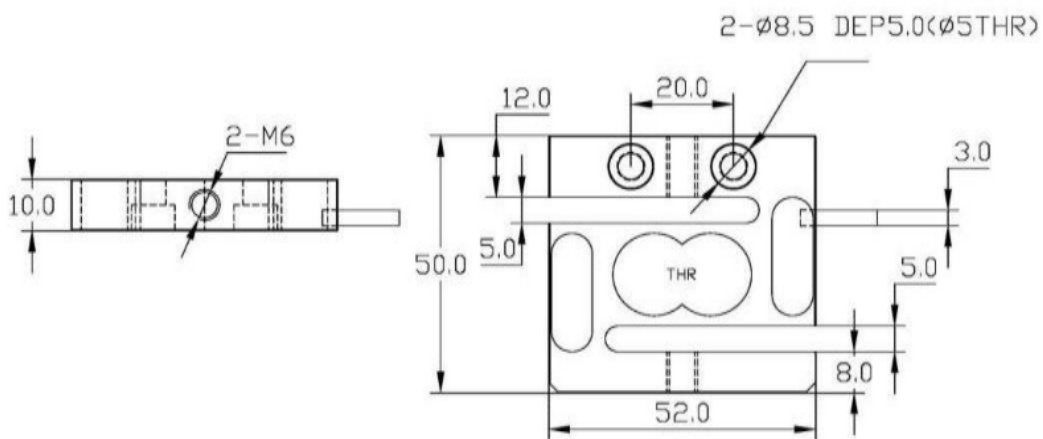
\* Dimension and measuring range can be customized by request.

**Tension and Compression Load Cell ME-8120**



**Feature:**

- ◆ Adopt high-precision resistance strain principle;
- ◆ Meet force measurement in the range of 50 N to 500 N;
- ◆ Stainless steel material with sealed welding, oil, water, corrosion resistant;
- ◆ S structural design, pressure-bearing, easy to install;
- ◆ Safe and suitable for harsh environments and dangerous situations;
- ◆ High dynamic response frequency;
- ◆ Small size, good appearance

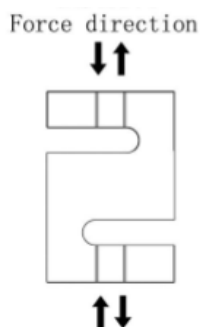


**Technical parameters:**

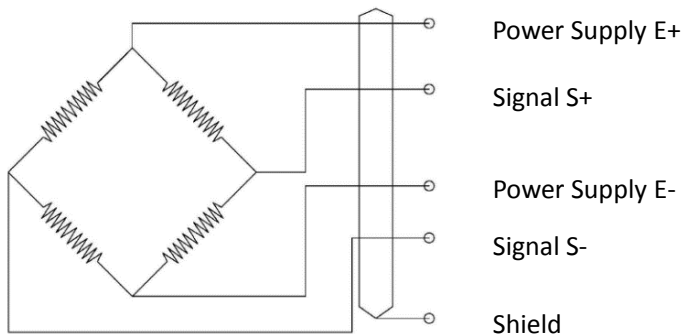
Measuring range:	0 ~ (50 N to 500 N) (5 kg to 50 kg)	Material:	Stainless steel Aluminum alloy
Accuracy:	0.03 % FSO	Rated output:	2.0 mV/V
Nominal excitation:	5 ~ 10 VDC	Maximum excitation:	15 V
Natural frequency:	≥ 2 kHz	Compensated temperature range:	- 10 ~ 60 °C
Hysteresis:	0.03 % FSO	Operating temperature range:	- 20 ~ 80 °C
Repeatability:	0.03 % FSO	Insulation:	≥ 5000 MΩ / 100 VDC
Input impedance:	350 ± 5 Ω	Output impedance:	350 ± 5 Ω
Creep (30 min):	0.01 % FSO	Temperature effect on output:	0.05 % FSO / 10 °C
Zero balance:	± 2 % FSO	Temperature effect on zero:	0.05 % FSO / 10 °C

Safe load limit:	150 %	Ultimate load limit:	200 %
Cable size:	Ø 3 x 3m	Life time:	Full scale more than 1 million times
Wire connection:	Power supply E+: Red; Power supply E-: Black; Signal S+: Green; Signal S-: White		

**Loading mode:**



**Wiring diagram:**



**Order Instruction:**

**Load Cell**

Measuring Range (N)

50	100	200	500
50	100	200	500

Cable Length (m)

3 meter length	5 meter length
L3	L5

ME - 8120 -  -

\* Dimension and measuring range can be customized by request.