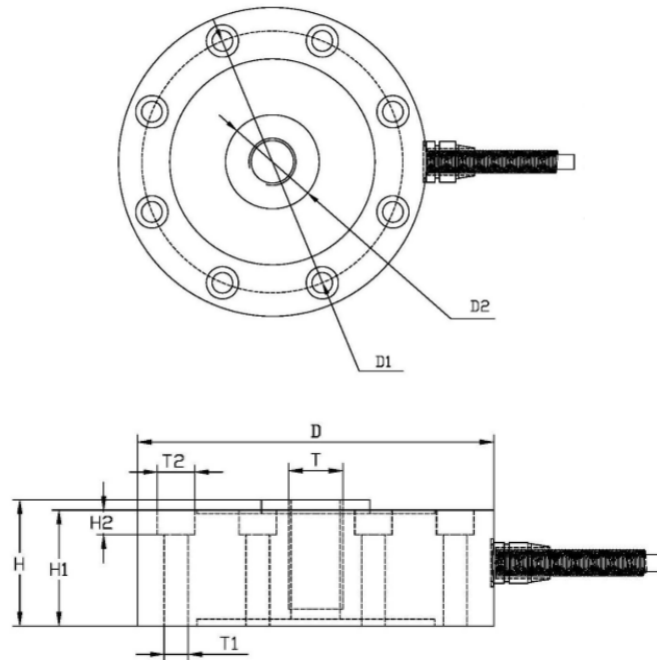


Tension and Compression Load Cell ME-8710A



Feature:

- ◆ Adopt high-precision resistance strain principle;
- ◆ Meet force measurement in the range of 1 kN to 300 kN;
- ◆ Aluminum/Stainless steel material with sealed welding, oil, water, corrosion resistant;
- ◆ Round structural design, pressure-bearing, easy to install;
- ◆ Safe and suitable for harsh environments and dangerous situations;
- ◆ High dynamic response frequency;
- ◆ Small size, good appearance

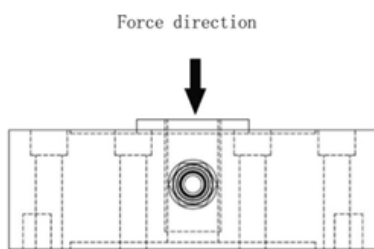


| Range | D | D1 | D2 | H | H1 | T | T1 | T2 | H2 |
|------------------|-----|-------|------|------|------|-----------|---------|----------|------|
| 1 kN to 70 kN | 105 | 89 | 32 | 37 | 34 | M16 x 1.5 | 8 x 7.5 | 8 x 10.5 | 7.2 |
| 100 kN to 200 kN | 120 | 101.8 | 39 | 53.5 | 41 | M32 x 1.5 | 8 x 8.5 | 8 x 14 | 10.5 |
| 300 kN | 141 | 116.8 | 50.4 | 57.2 | 50.8 | M40 x 1.5 | 8 x 11 | 8 x 18 | 11 |

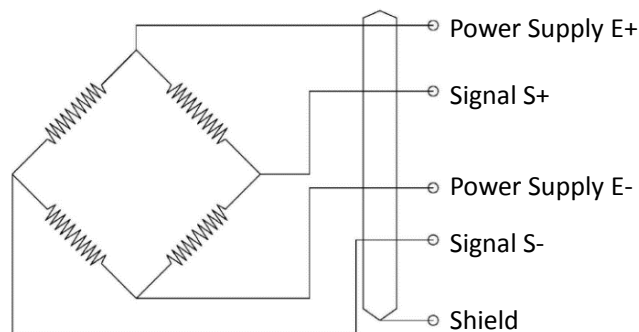
Technical parameters:

| | | | |
|---------------------|--|--------------------------------|--------------------------------------|
| Measuring range: | 0 ~ (1 kN to 300 kN) (100 kg to 30 ton) | Material: | Alloy steel Stainless steel |
| Accuracy: | 0.05 % FSO | Rated output: | 2.0 mV/V |
| Nominal excitation: | 2.5 ~ 5 VDC | Maximum excitation: | 10 V |
| Natural frequency: | ≥ 2 kHz | Compensated temperature range: | - 10 ~ 60 °C |
| Hysteresis: | 0.05 % FSO | Operating temperature range: | - 20 ~ 80 °C |
| Repeatability: | 0.03 % FSO | Insulation: | ≥ 5000 MΩ / 100 VDC |
| Input impedance: | 350 (700) ± 5 Ω | Output impedance: | 350 (700) ± 5 Ω |
| Creep (30 min): | 0.01 % FSO | Temperature effect on output: | 0.05 % FSO / 10 °C |
| Zero balance: | ± 2 % FSO | Temperature effect on zero: | 0.05 % FSO / 10 °C |
| Safe load limit: | 150 % | Ultimate load limit: | 200 % |
| Cable size: | ∅ 2 x 3m | Life time: | Full scale more than 1 million times |
| Wire connection: | Power supply E+: Red; Power supply E-: Black; Signal S+: Green; Signal S-: White | | |

Loading mode:



Wiring diagram:



Order Instruction:

Load Cell

Measuring Range (kN)

| | | | | | | | | |
|----|----|----|-----|-----|-----|------|------|------|
| 1 | 2 | 5 | 10 | 20 | 50 | 100 | 200 | 300 |
| 1K | 2K | 5K | 10K | 20K | 50K | 100K | 200K | 300K |

Cable Length (m)

| | |
|----------------|----------------|
| 3 meter length | 5 meter length |
| L3 | L5 |

ME - 8710A - [] - []

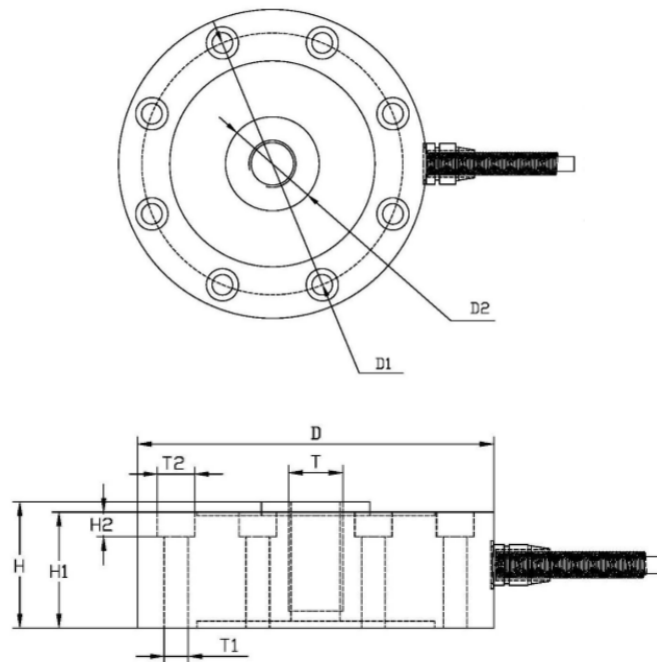
* Dimension and measuring range can be customized by request.

Tension and Compression Load Cell ME-8710B



Feature:

- ◆ Adopt high-precision resistance strain principle;
- ◆ Meet force measurement in the range of 1 kN to 300 kN;
- ◆ Aluminum/Stainless steel material with sealed welding, oil, water, corrosion resistant;
- ◆ Round structural design, pressure-bearing, easy to install;
- ◆ Safe and suitable for harsh environments and dangerous situations;
- ◆ High dynamic response frequency;
- ◆ Small size, good appearance

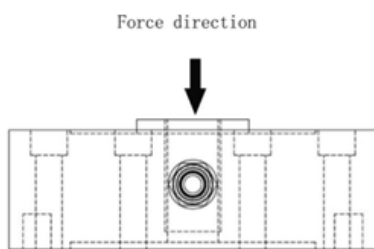


| Range | D | D1 | D2 | H | H1 | T | T1 | T2 | H2 |
|------------------|-----|-------|------|------|------|-----------|---------|----------|------|
| 1 kN to 70 kN | 105 | 89 | 32 | 37 | 34 | M16 x 1.5 | 8 x 7.5 | 8 x 10.5 | 7.2 |
| 100 kN to 200 kN | 120 | 101.8 | 39 | 53.5 | 41 | M32 x 1.5 | 8 x 8.5 | 8 x 14 | 10.5 |
| 300 kN | 141 | 116.8 | 50.4 | 57.2 | 50.8 | M40 x 1.5 | 8 x 11 | 8 x 18 | 11 |

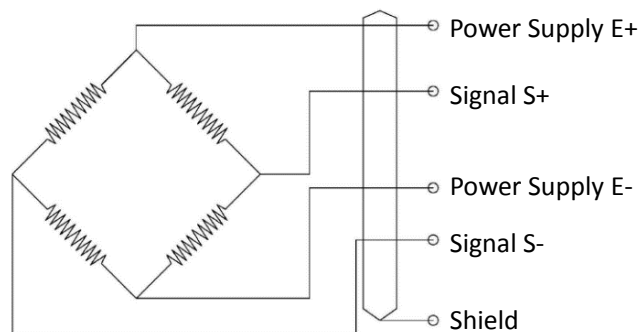
Technical parameters:

| | | | |
|---------------------|--|--------------------------------|--------------------------------------|
| Measuring range: | 0 ~ (1 kN to 300 kN) (100 kg to 30 ton) | Material: | Alloy steel Stainless steel |
| Accuracy: | 0.05 % FSO | Rated output: | 2.0 mV/V |
| Nominal excitation: | 2.5 ~ 5 VDC | Maximum excitation: | 10 V |
| Natural frequency: | ≥ 2 kHz | Compensated temperature range: | - 10 ~ 60 °C |
| Hysteresis: | 0.05 % FSO | Operating temperature range: | - 20 ~ 120 °C |
| Repeatability: | 0.03 % FSO | Insulation: | ≥ 5000 MΩ / 100 VDC |
| Input impedance: | 350 (700) ± 5 Ω | Output impedance: | 350 (700) ± 5 Ω |
| Creep (30 min): | 0.01 % FSO | Temperature effect on output: | 0.05 % FSO / 10 °C |
| Zero balance: | ± 2 % FSO | Temperature effect on zero: | 0.05 % FSO / 10 °C |
| Safe load limit: | 150 % | Ultimate load limit: | 200 % |
| Cable size: | ∅ 2 x 3m | Life time: | Full scale more than 1 million times |
| Wire connection: | Power supply E+: Red; Power supply E-: Black; Signal S+: Green; Signal S-: White | | |

Loading mode:



Wiring diagram:



Order Instruction:

Load Cell

Measuring Range (kN)

| | | | | | | | | |
|----|----|----|-----|-----|-----|------|------|------|
| 1 | 2 | 5 | 10 | 20 | 50 | 100 | 200 | 300 |
| 1K | 2K | 5K | 10K | 20K | 50K | 100K | 200K | 300K |

Cable Length (m)

| | |
|----------------|----------------|
| 3 meter length | 5 meter length |
| L3 | L5 |

ME - 8710B - -

* Dimension and measuring range can be customized by request.